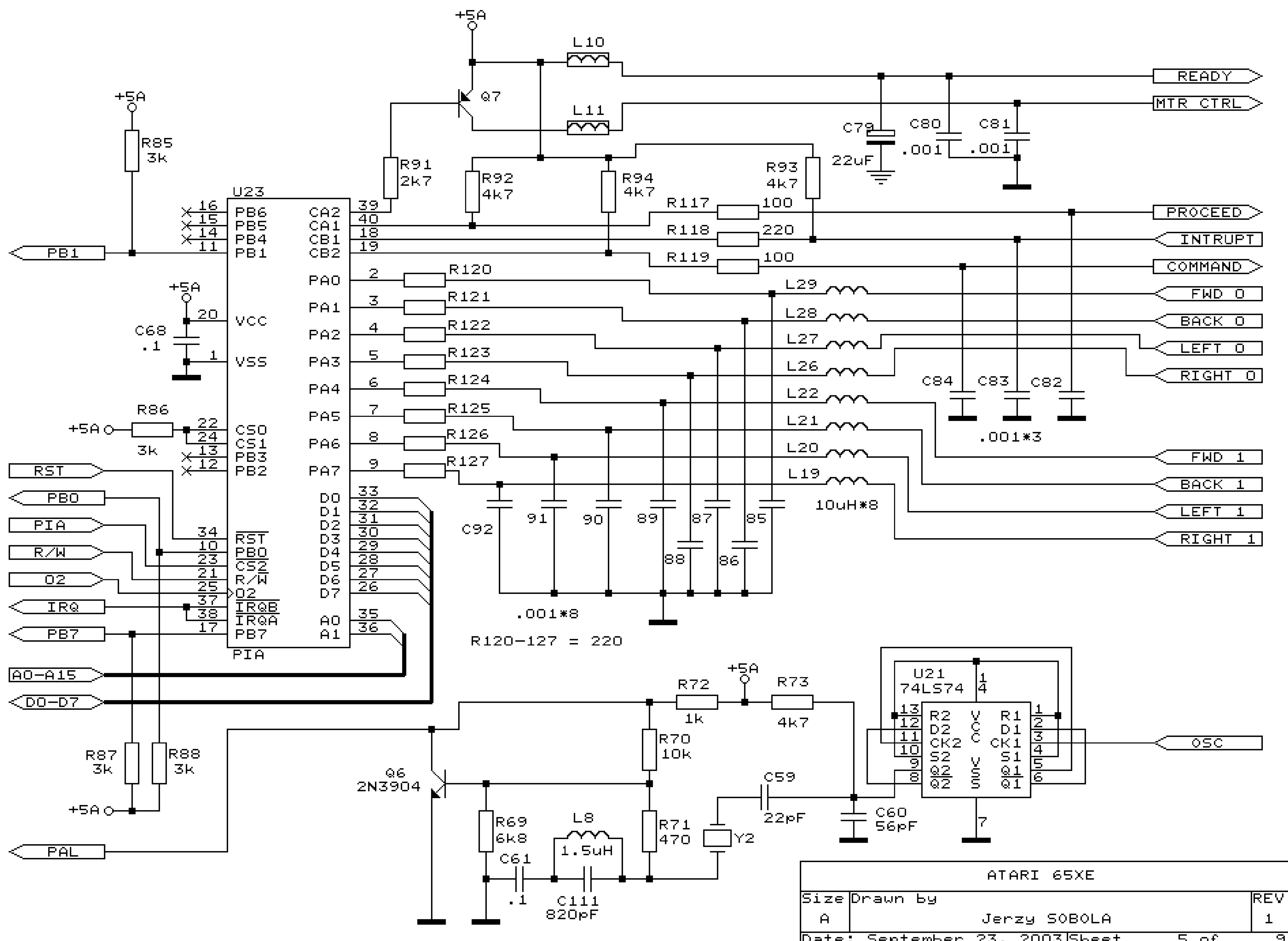
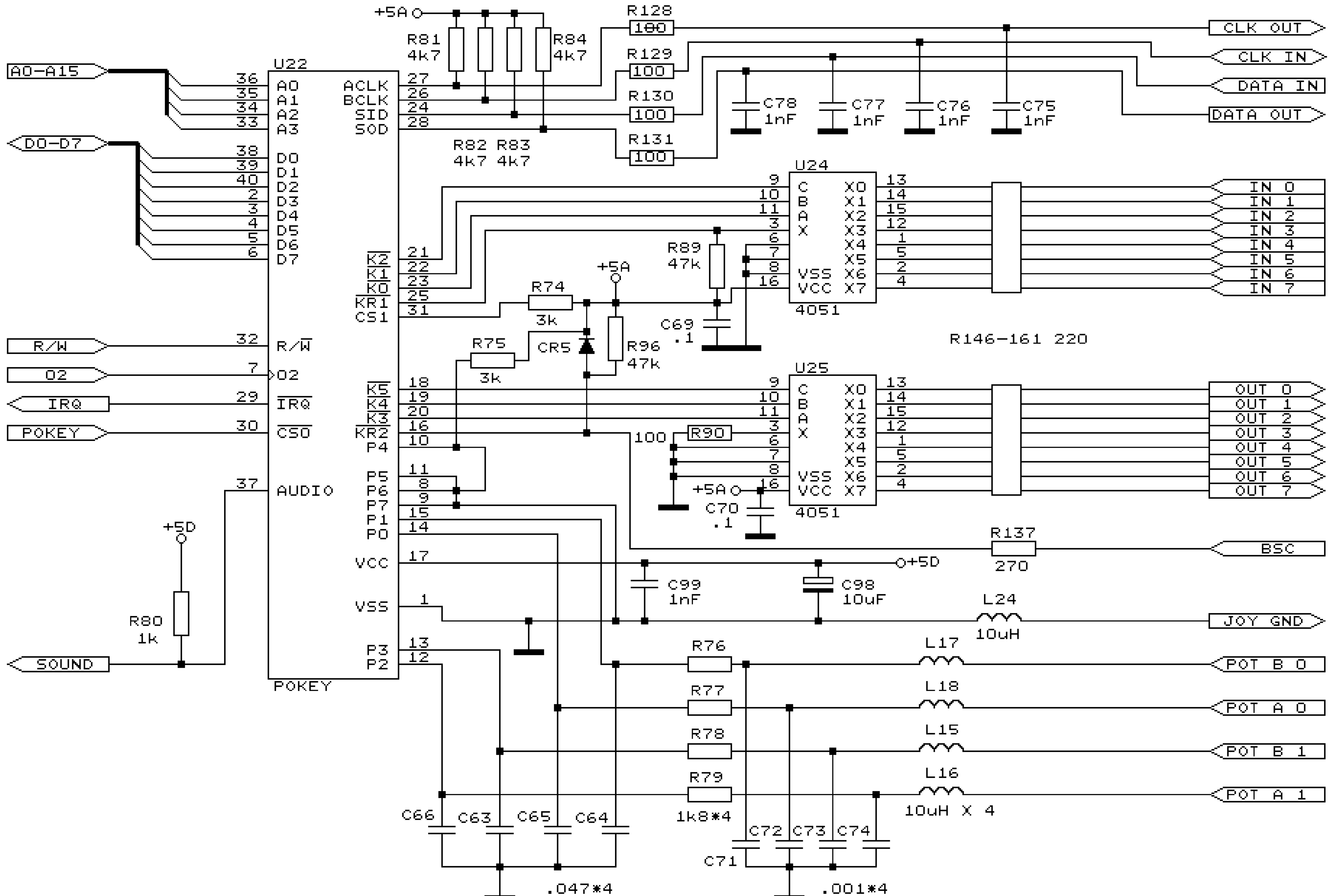
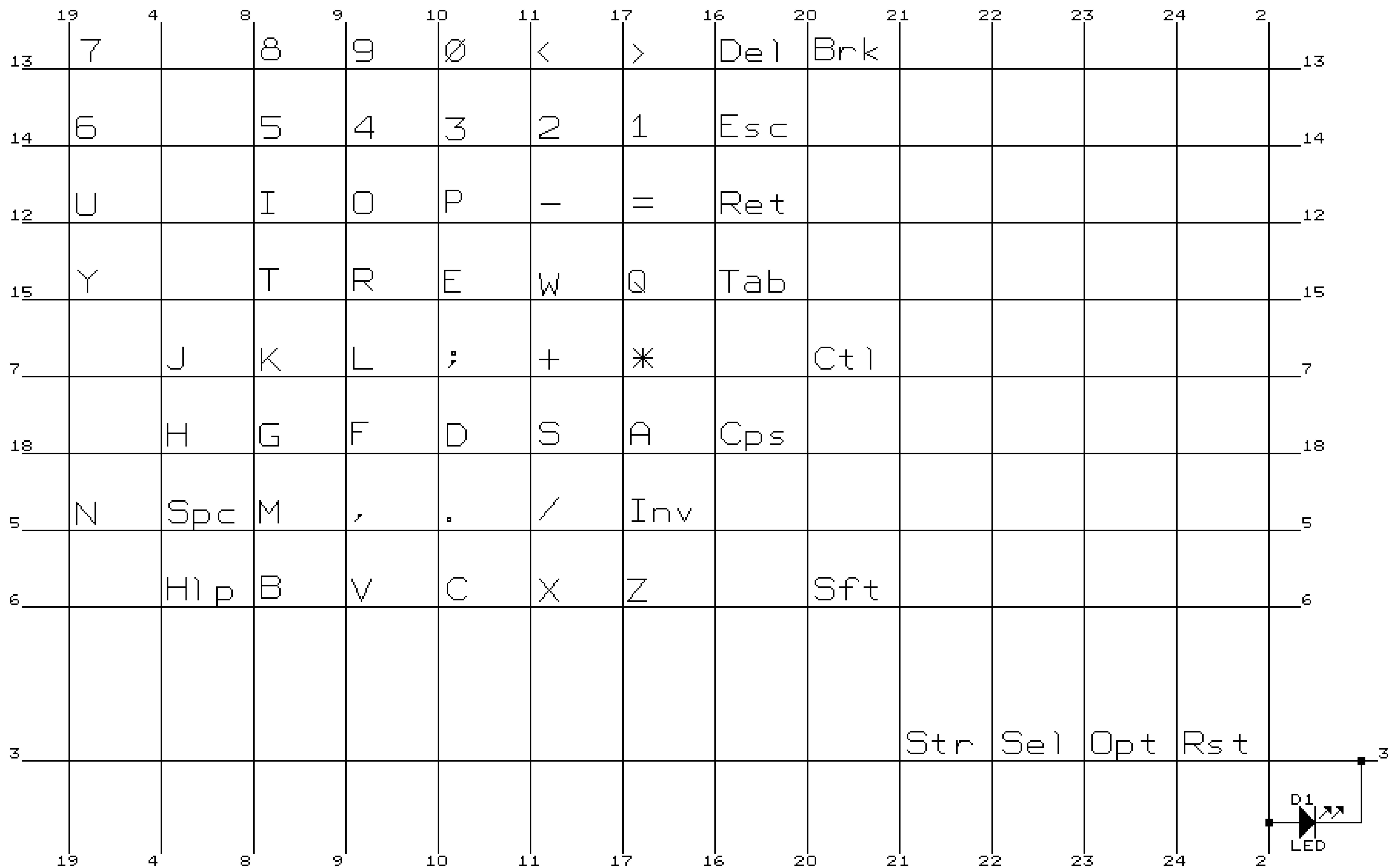


ATARI 65XE		
Size	Drawn by	REV
A	Jerzy SOBOLA	1
Date: September 23, 2003	Sheet	4 of 9





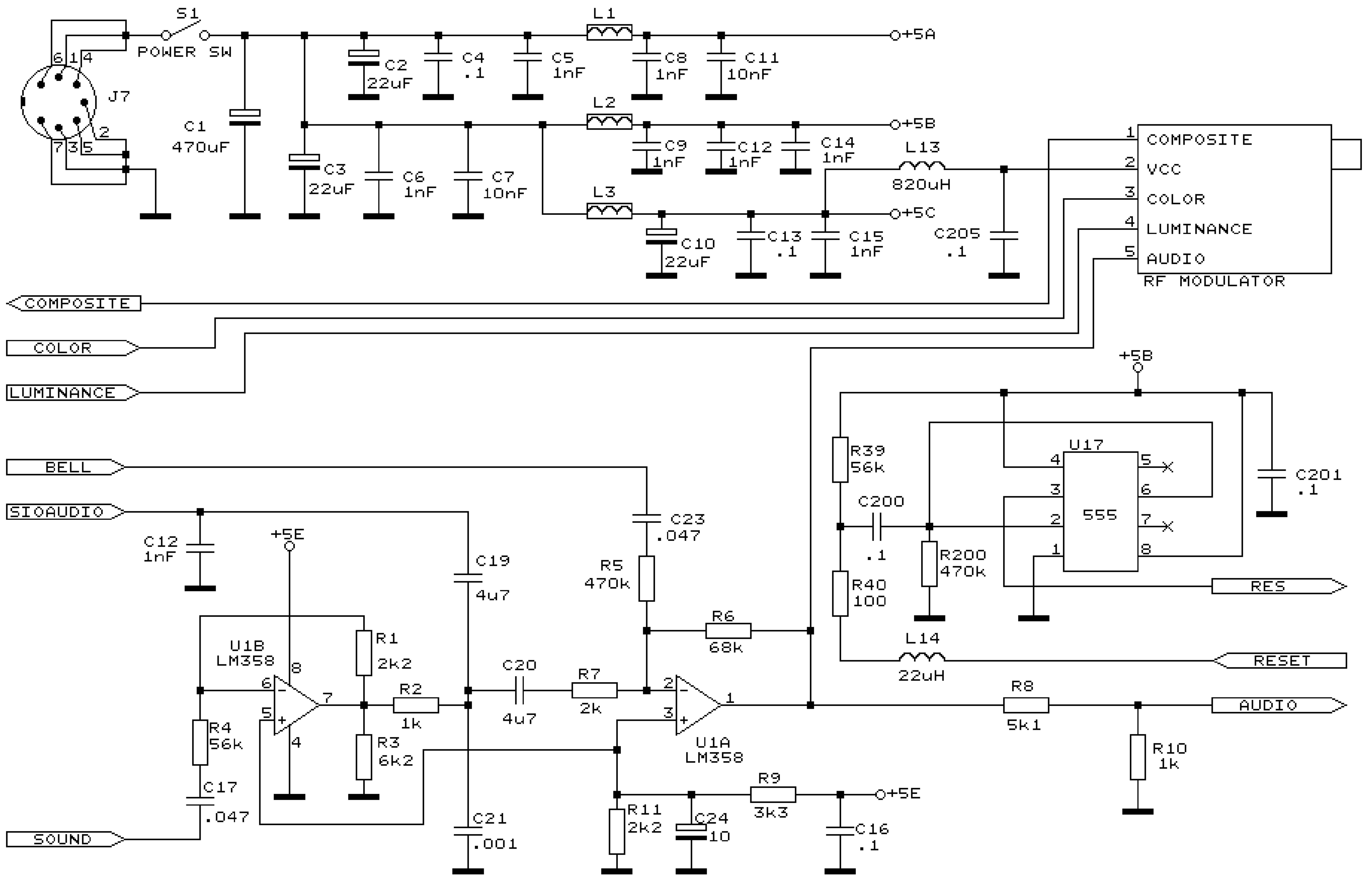
ATARI 65XE		
Size	Drawn by	REV
A	Jerzy SOBOLA	1
Date: September 23, 2003	Sheet	6 of 9



Values near lines means pin numbers of keyboard connector.

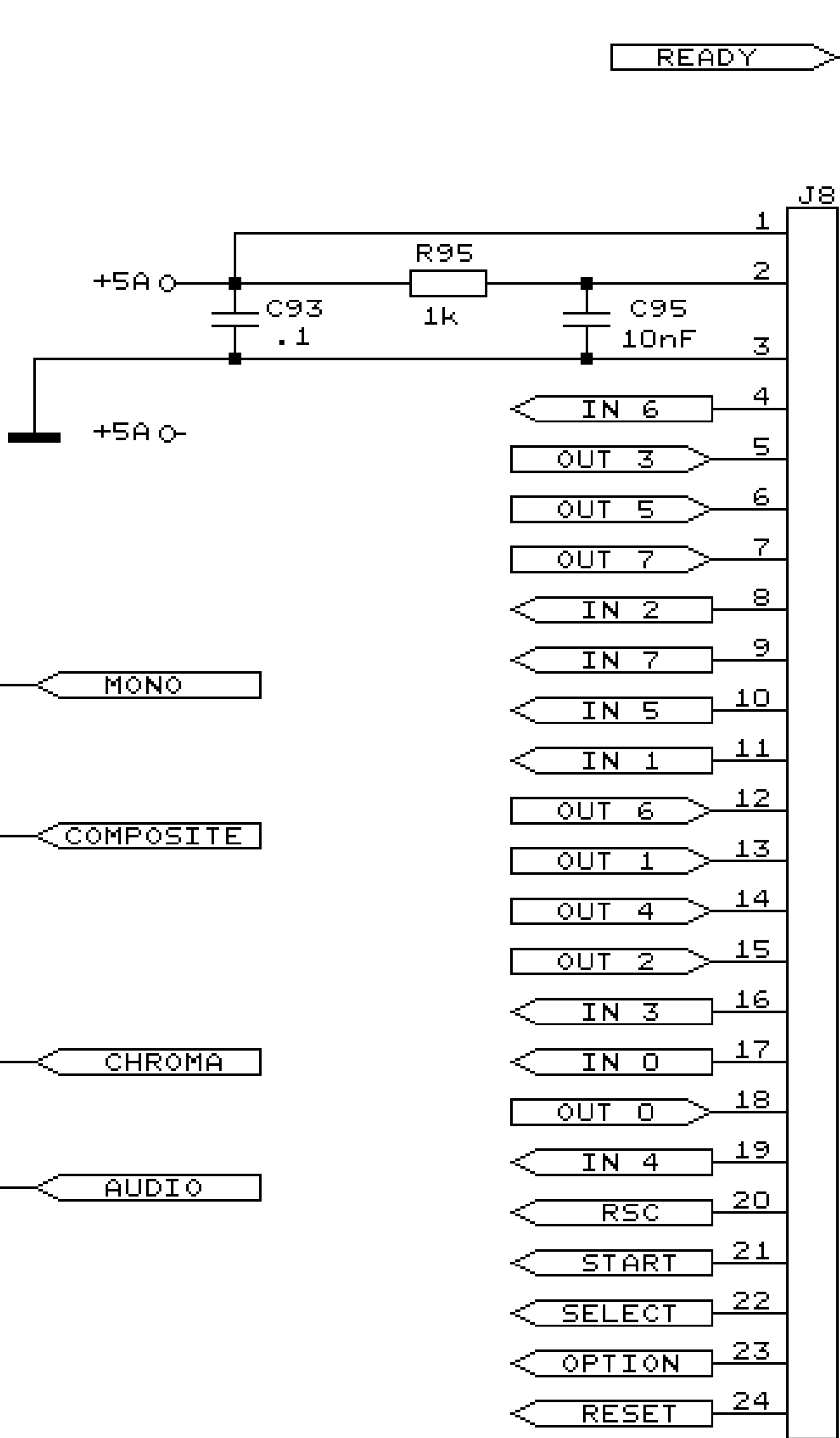
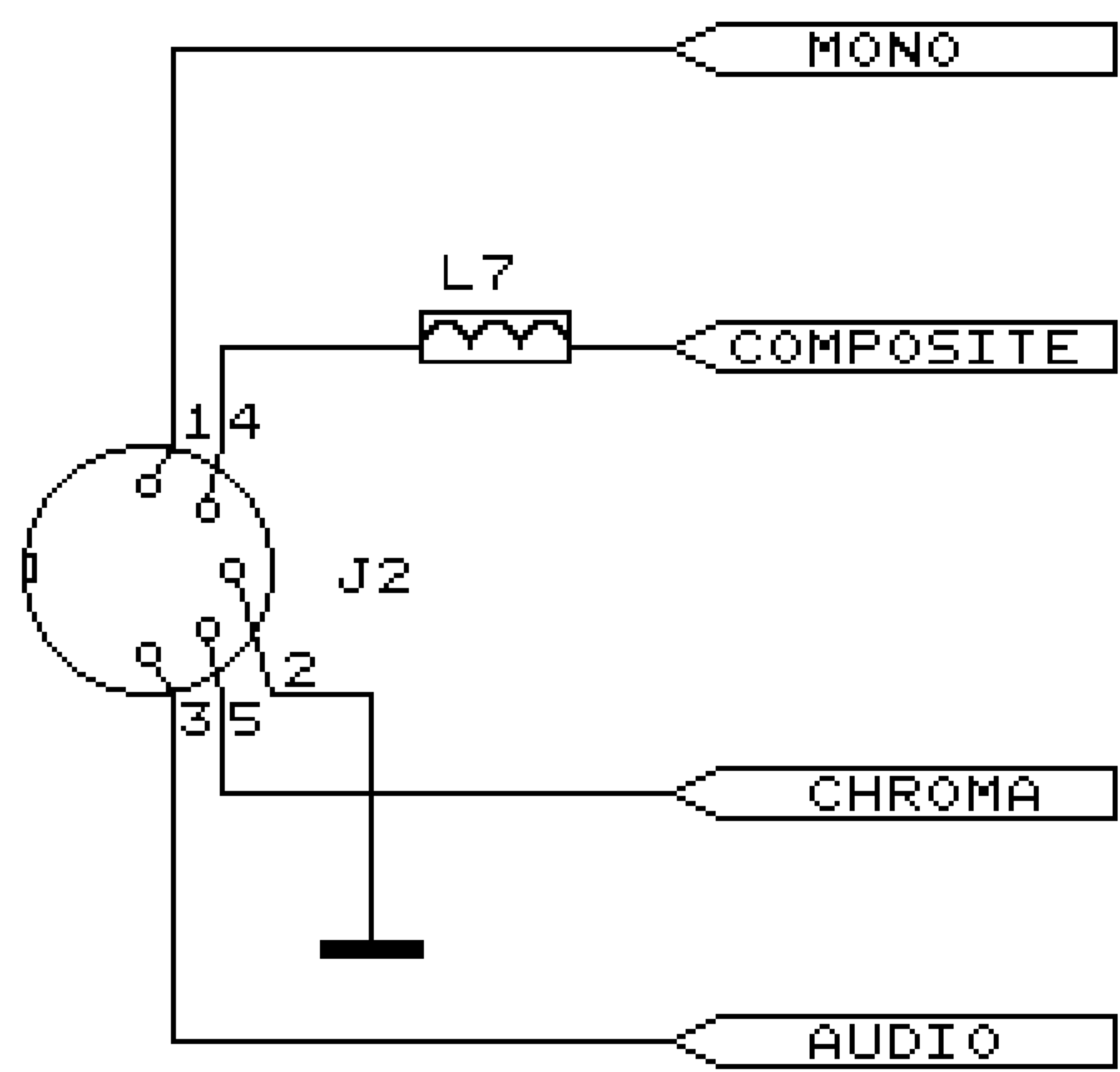
Numery przy liniach oznaczaja numery stykow w zlaczu klawiatury.

ATARI 65XE		
Size	Drawn by	REV
A	Jerzy SOBOLA	1
Date: September 23, 2003	Sheet	7 of 9

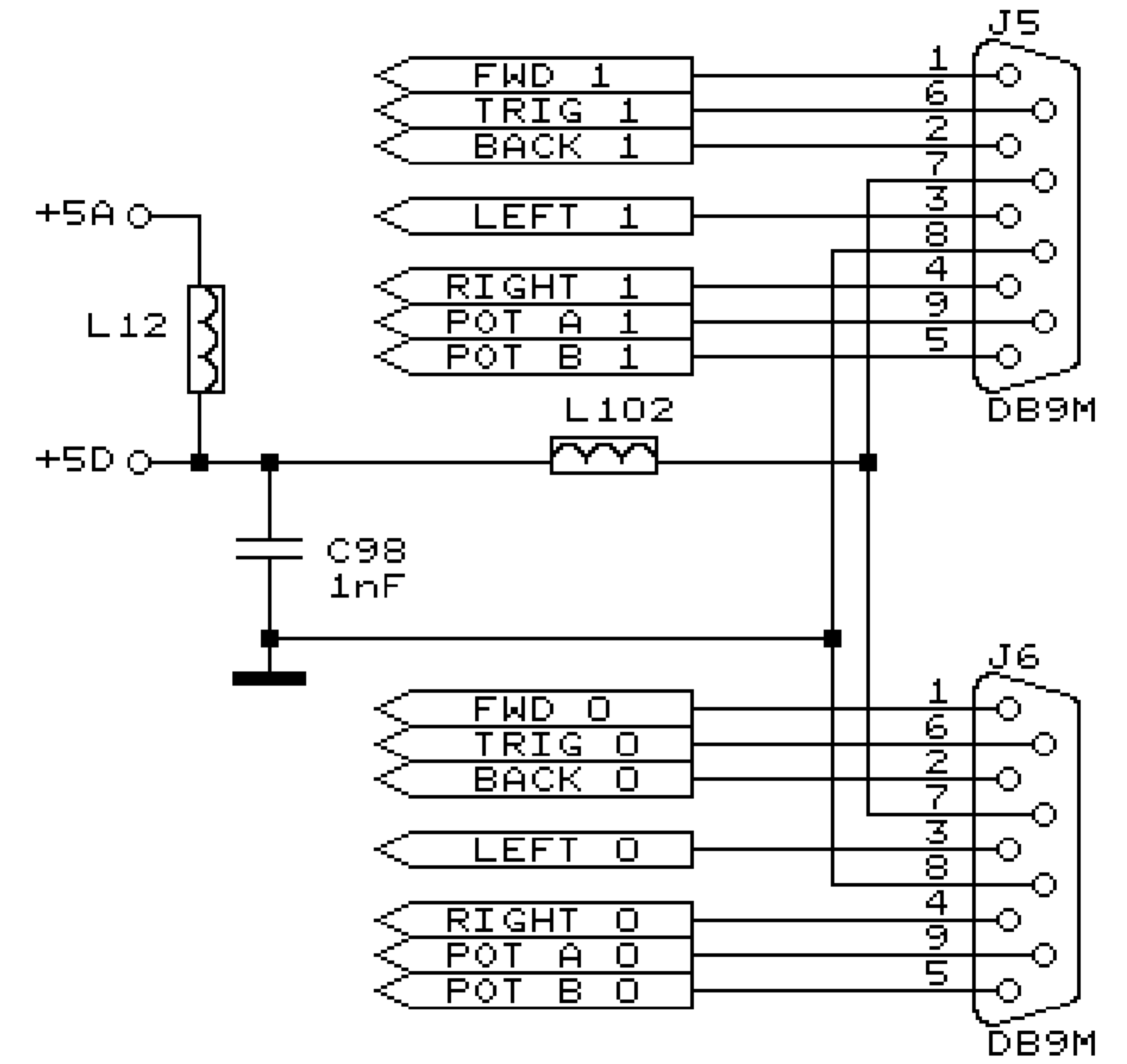
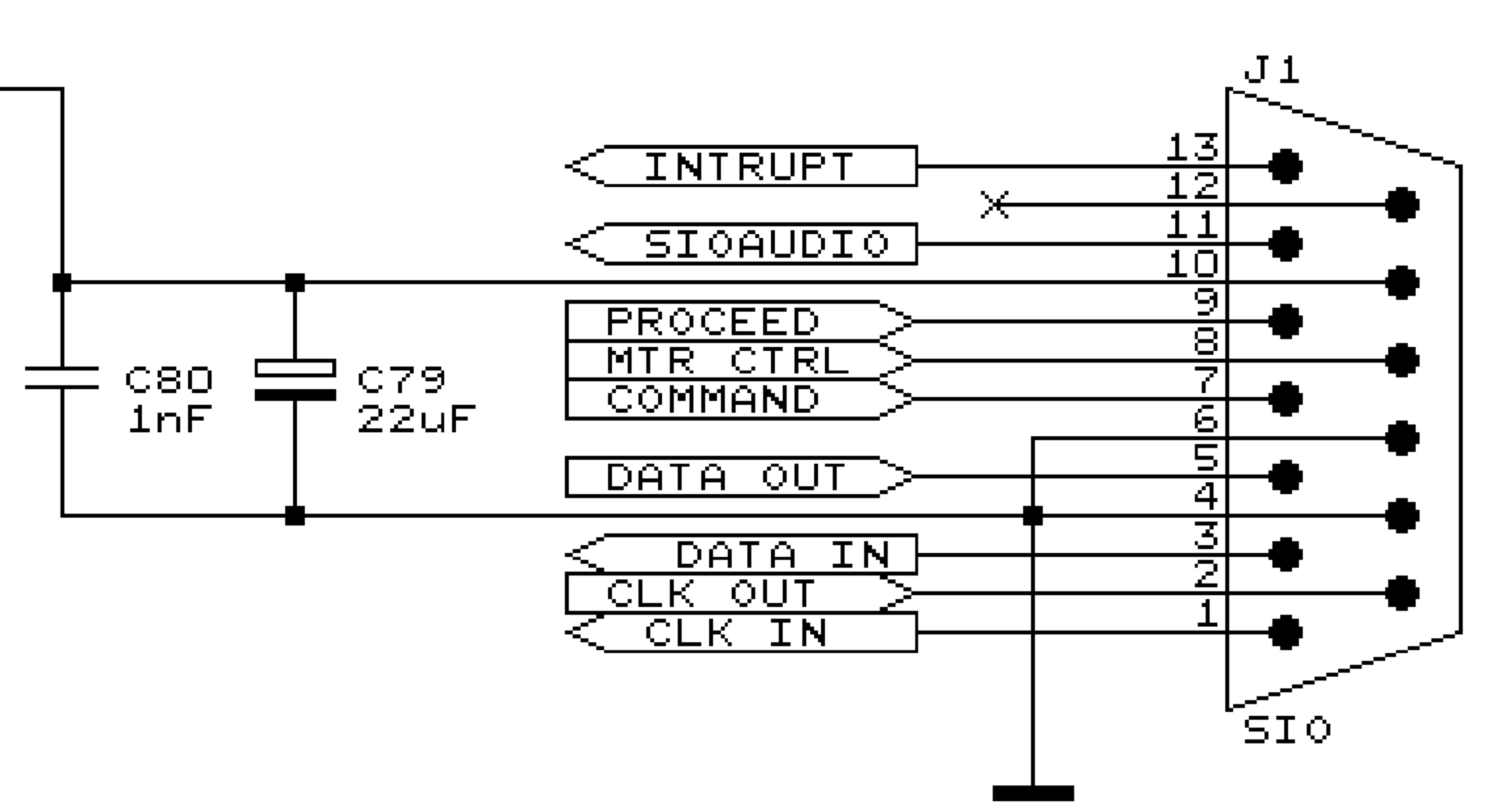


ATARI 65XE		
Size	Drawn by	REV
A	Jerzy SOBOLA	1
Date: September 23, 2003	Sheet	8 of 9

300-HZ03



300-H0ZZ00 0R000-0M



ATARI 65XE		
Size	Drawn by	REV
A	Jerzy SOBOLA	1
Date: September 23, 2003	Sheet	9 of 9