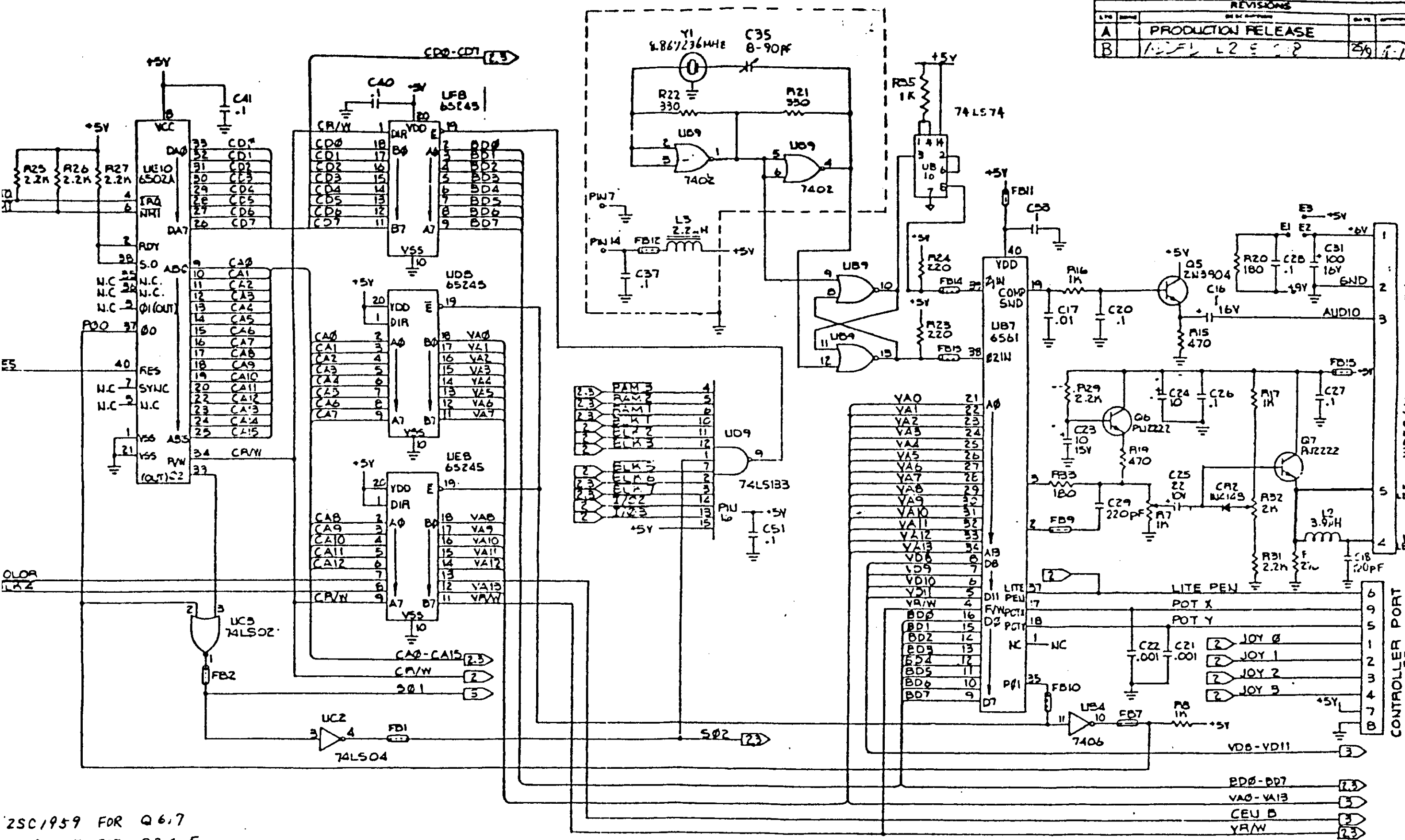
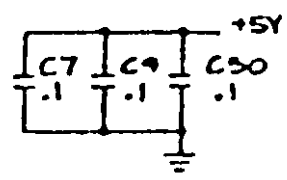
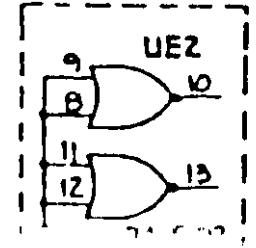
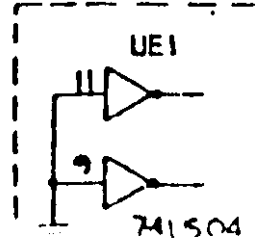


REVISIONS			
REV	DESCRIPTION	DATE	BY
A	PRODUCTION RELEASE		
B	1.2.2.2.2	2/9	i-1



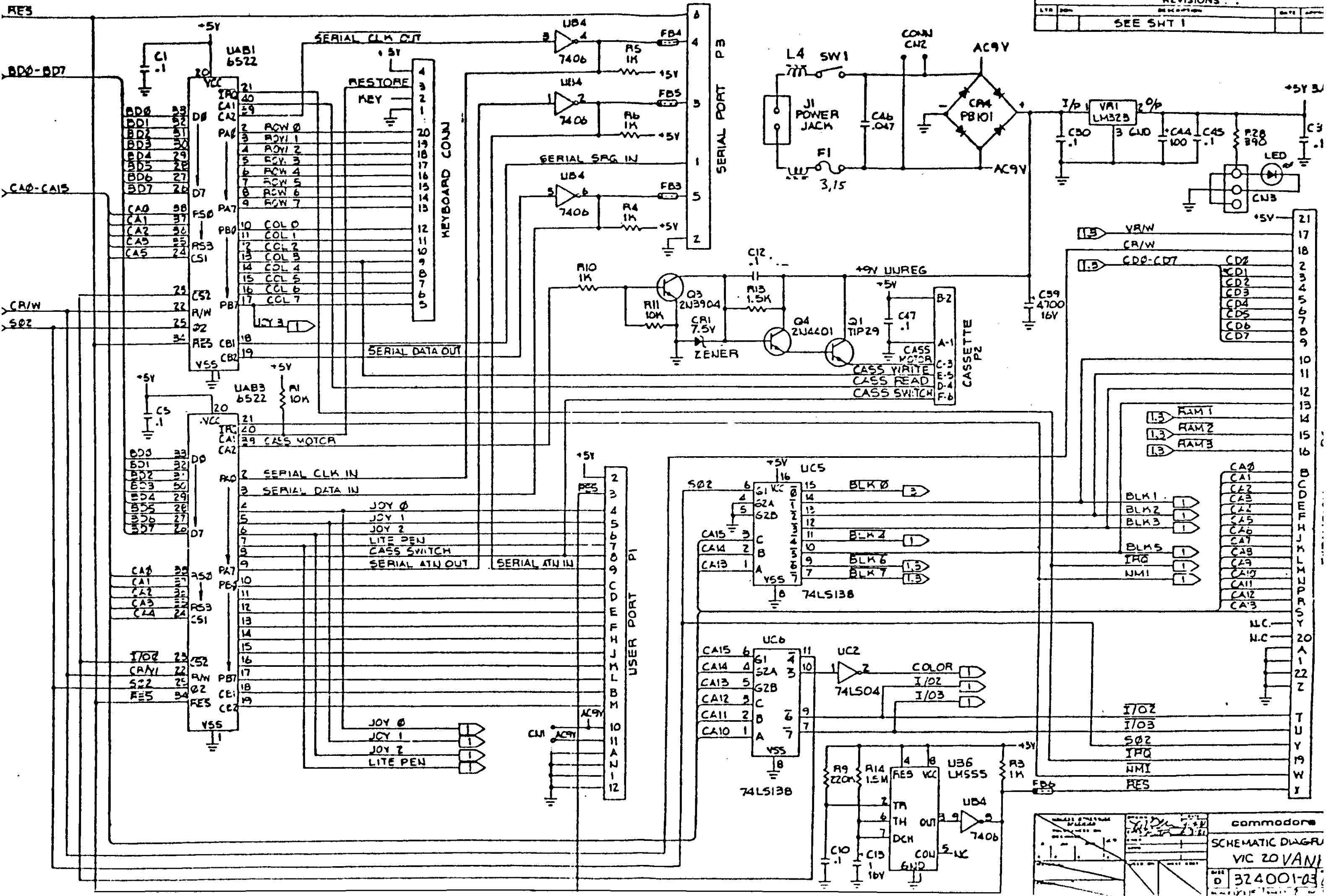
2SC1959 FOR Q6,7  
 2SC1815 FOR Q3 & 5  
 SUBSTITUTION OF TRANSISTOR  
 CAPACITANCE VALUES ARE IN MICROFARADS, 50V  
 RESISTANCE VALUES ARE IN OHM, 1/4W=5%  
 S- UNLESS OTHERWISE SPECIFIED:



-01 SHOWN

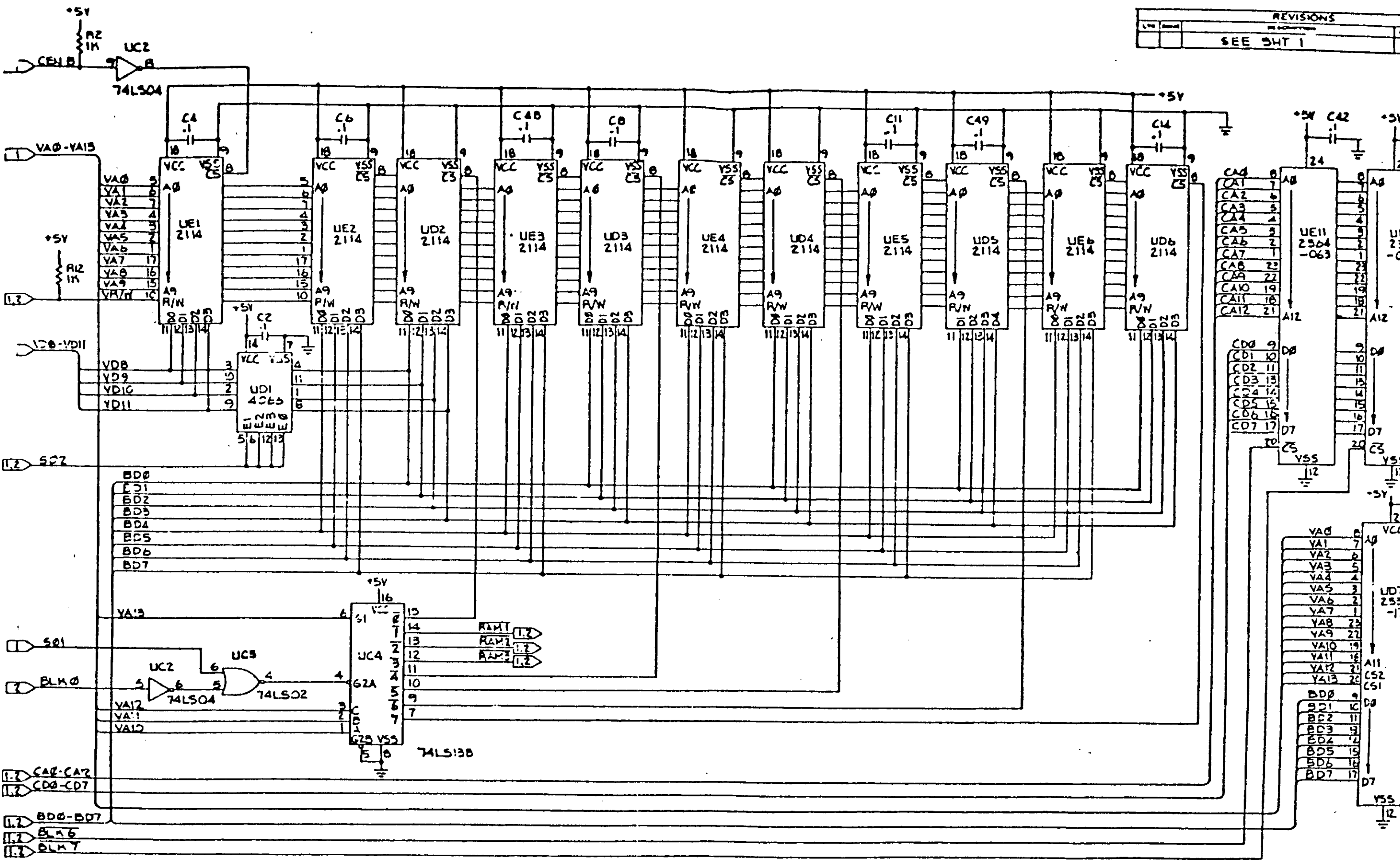
commadore			
SCHEMATIC DIAGRAM			
VIC 20 VANI			
D 32400103			

REVISIONS		
REV	DESCRIPTION	DATE
1	SEE SH1	



commodore  
SCHEMATIC DRAWING  
VIC 20 VARI  
0 324001-03

REVISIONS	
REV	DESCRIPTION
1	SEE SHT 1



COMMERCIAL		COMMERCIAL	
SHEMATIC DU		VIC 20V	
32400		32400	