

LTR	ZONE	DESCRIPTION	DATE	APPROV
B		REVISED PER ECO 82001		
C		REVISED PER ECO 82001C		
D		REVISED PER ECO 830151		

UNLESS OTHERWISE SPECIFIED TOLERANCES ON DECIMALS		DRAWN BY	DATE
XX XX XX < 8		CHKD	
MATERIAL		ENGR	
FINISH		APPV	
USED ON		NEXT ASSY	
VIC-20CR			
NTSC			

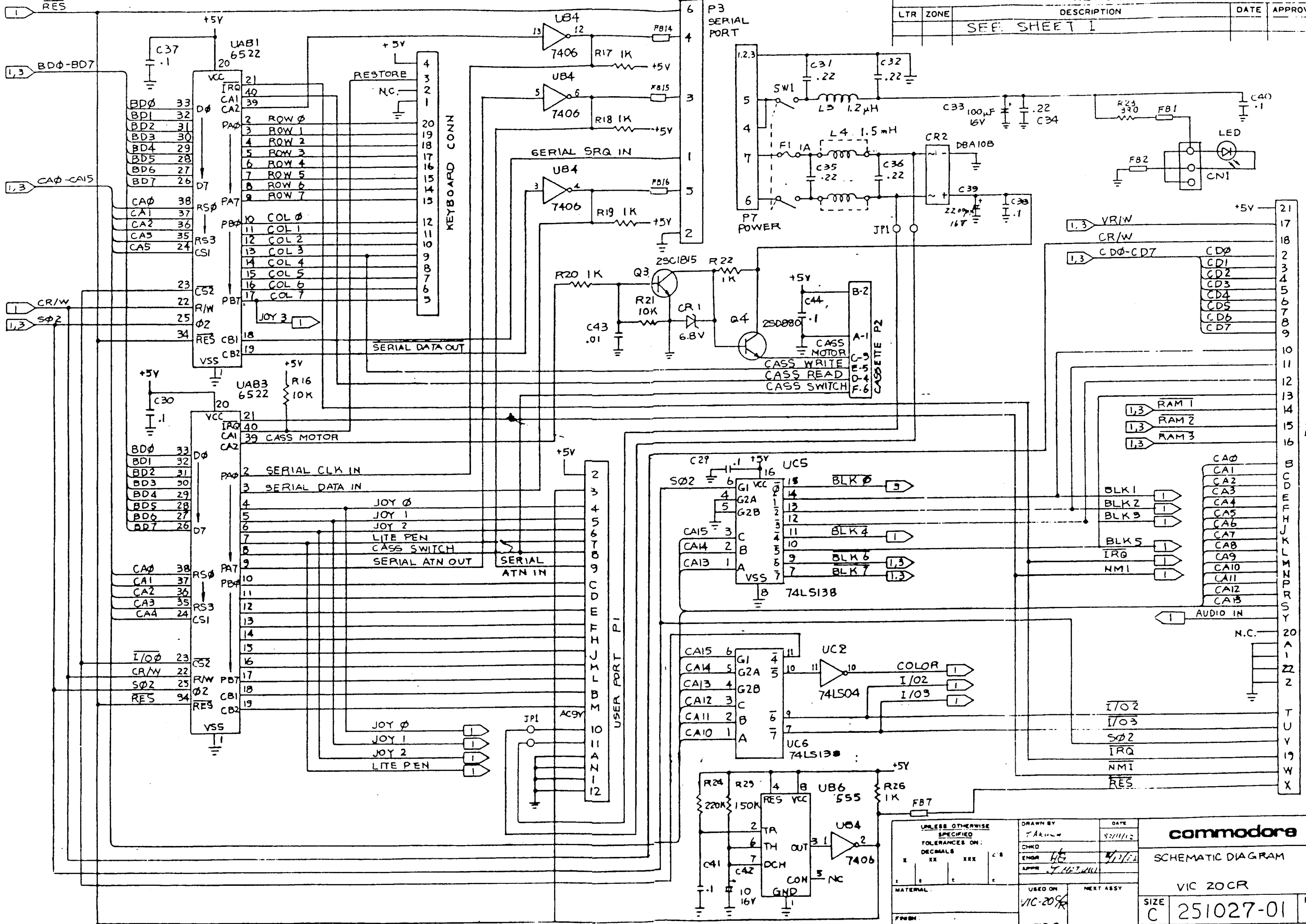
commodore

SCHEMATIC DIAGRAM

VIC 20CR

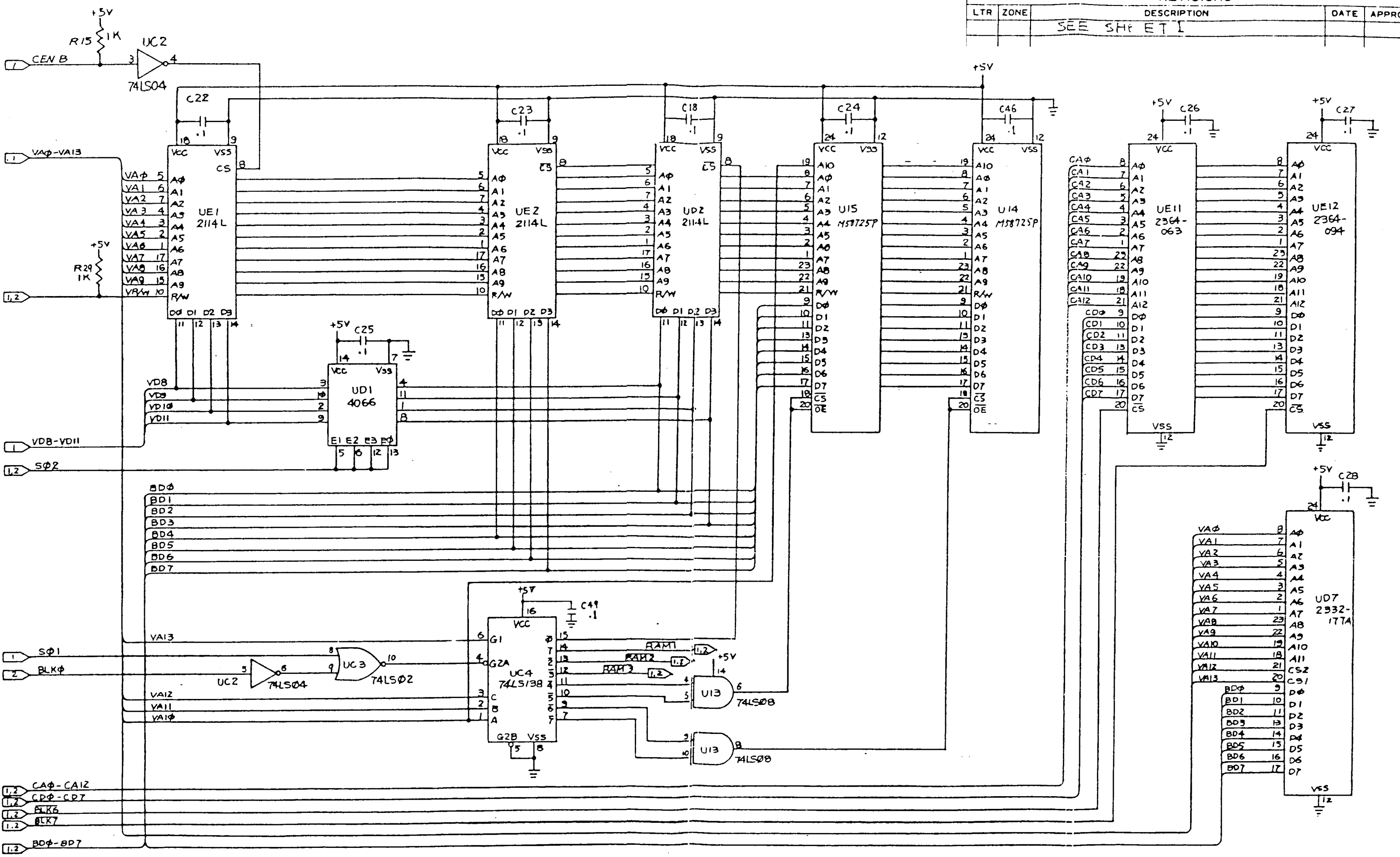
SIZE	251027 01	REV	D
SCALE	NONE	SHEET	1 OF 3

REVISIONS		DESCRIPTION	DATE	APPROVED
LTR	ZONE	SEE SHEET 1		

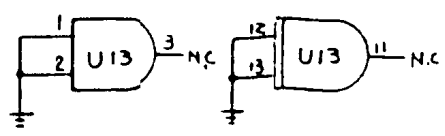


UNLESS OTHERWISE SPECIFIED TOLERANCES ON: X XX XXX CS		DRAWN BY TAKUWA	DATE 8/11/82	commodore
MATERIAL:		CHKD HE	4/12/82	
VIC-20		USED ON VIC-20	NEXT ASSY	VIC 20CR
FORM:		NTSC		SIZE C 251027-01
				REV D
				SCALE NONE SHEET 2 OF 3

REVISIONS				
LTR	ZONE	DESCRIPTION	DATE	APPROV
		SEE SHEET I		



- 1,2 CAΦ - CA12
- 1,2 CDΦ - CD7
- 1,2 BLK6
- 1,2 BLK7
- 1,2 BDΦ - BD7



UNLESS OTHERWISE SPECIFIED TOLERANCES ON DECIMALS		DRAWN BY A22-xx	DATE 8/11/82	commodore
X	XX	CHKD ENGR APPR T.M.P. H.V.C.	11/2/82	
MATERIAL	USED ON VIC-20S/R	NEXT ASSY	VIC 20CR	
FRSH	NTSC		SIZE C	REV D
			SCALE NONE SHEET 3 OF 3	