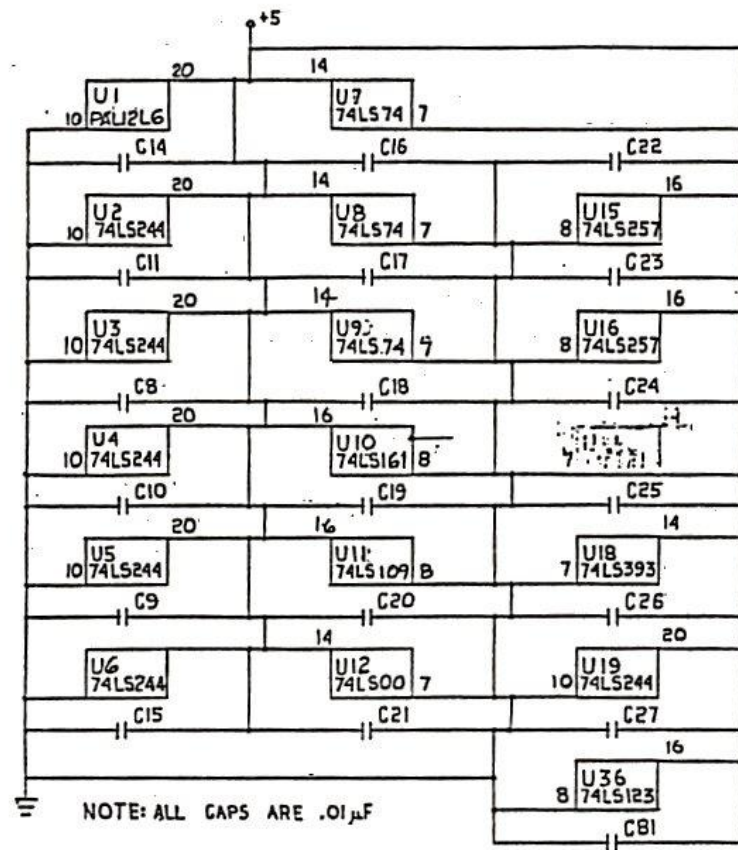
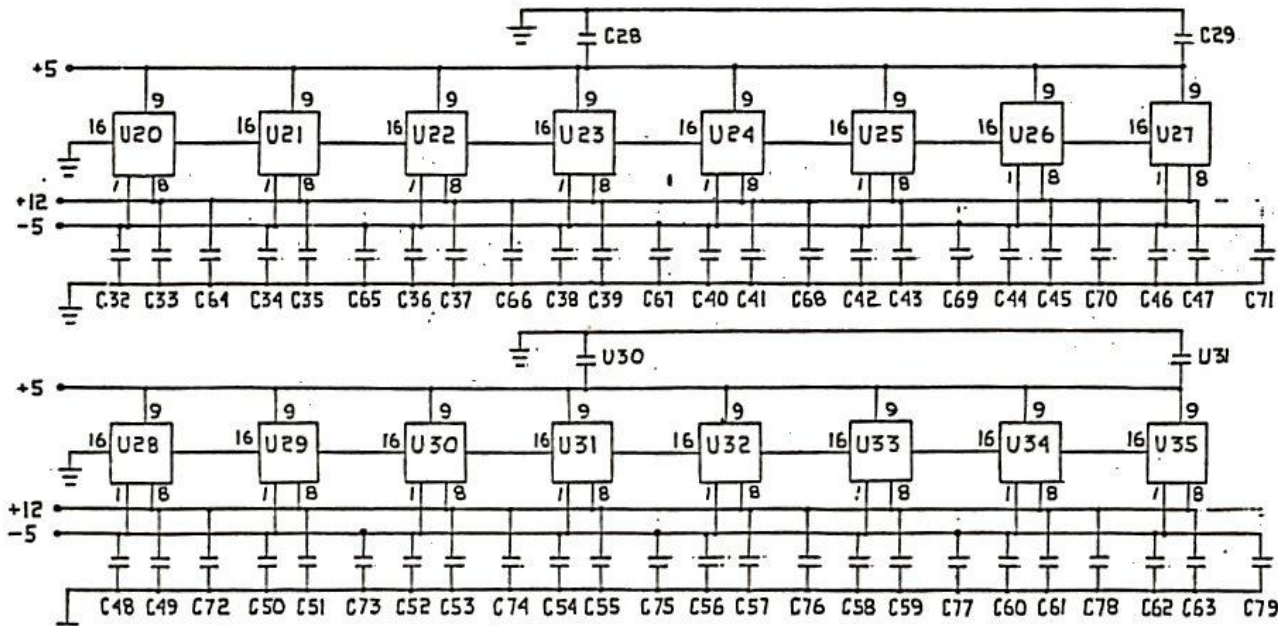
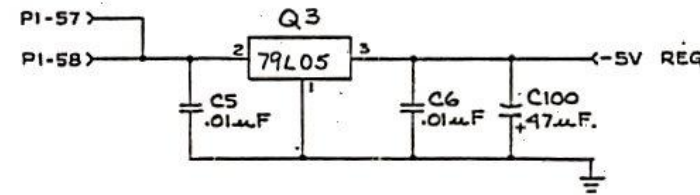
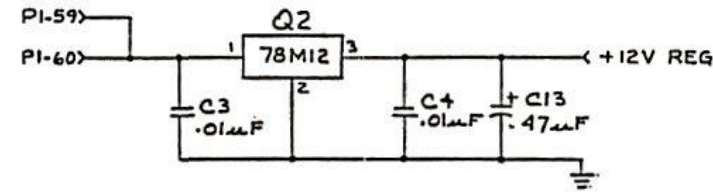
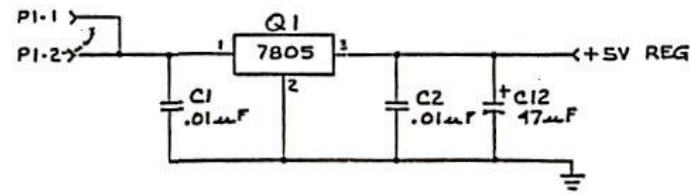


NOTES: UNLESS OTHERWISE SPECIFIED:



NOTE: ALL CAPS ARE .01μF



NOTE: C28-63 ARE .1μF  
C64-79 ARE 10μF

TMS 4116 POWER

**Retrocomputing**

1039330				REV	DESCRIPTION	DATE	APVD
A	NO ECN - <i>Md Madlock</i>		3-22-82				
				FORMAL RELEASE			
B	ECN 102986 <i>Gene Owen</i>		7-6-82	<i>Gene Owen</i>	<i>J. Bul</i>		
				8/4/82	P.R.		

ITEM NO.	PART NUMBER	DESCRIPTION	MATERIAL	REMARKS
PARTS LIST				
		<i>Md Madlock</i>	3-22-82	
		TEXAS INSTRUMENTS INCORPORATED Consumer Products Group LUDDECK, TEXAS		
		SCHEMATIC PCB		
		PROJ. 360		
		MEMORY EXPAN: JOHNNY BOX		
		360		
		NEXT ASSY.	US/D ON	
		APPLICATION		
		<i>Gene Owen</i>	4-5-82	
		<i>Gene Owen</i>	4-7-82	
				1039330
				1 OF 2

