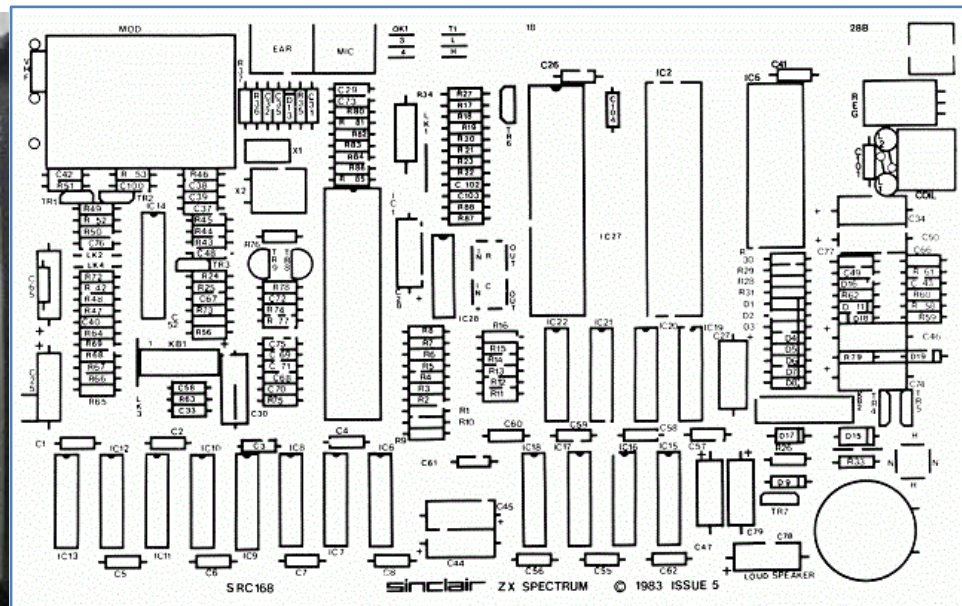
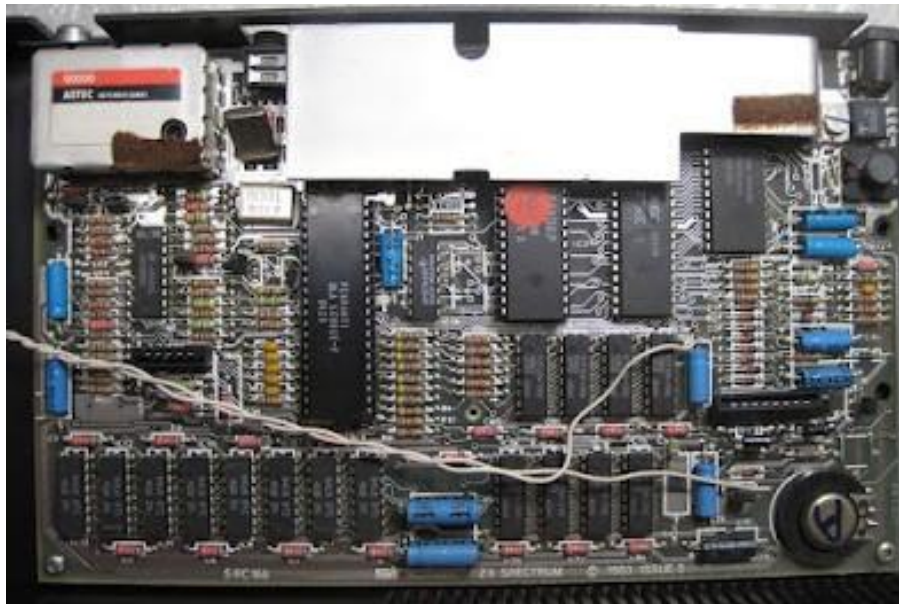
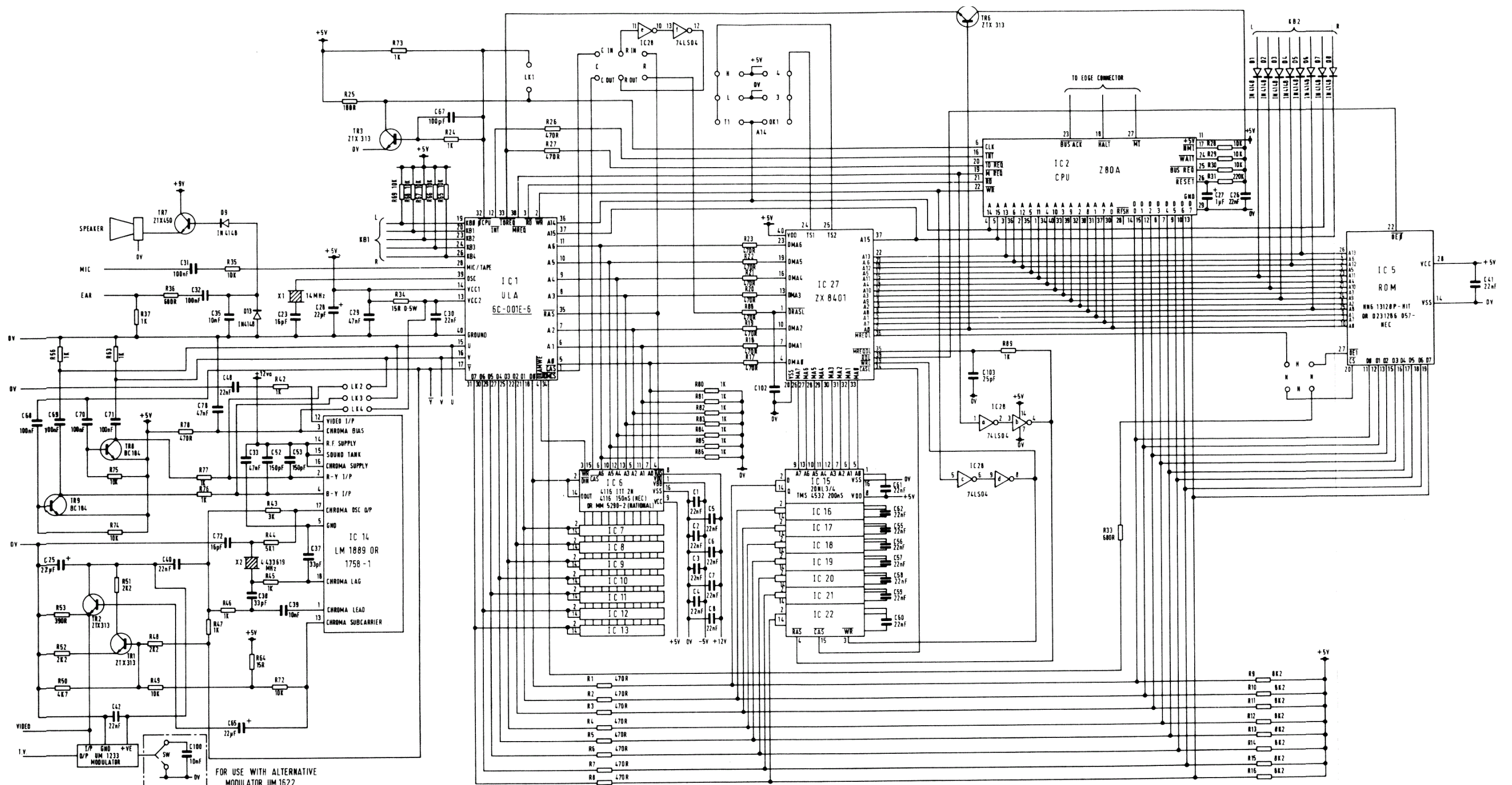


# ESQUEMATICO ZX SPECTRUM 48kB ISSUE 5

*Retrocomputing*

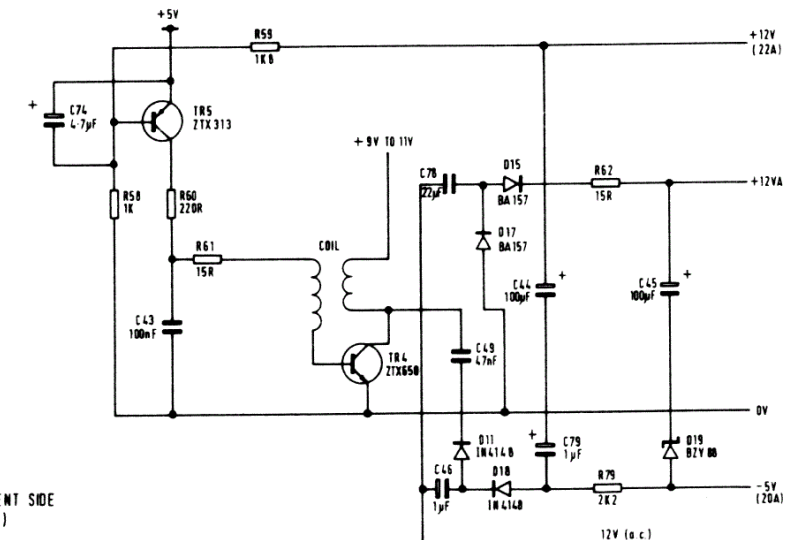




Pinout table for the underside of the board:

A14	1	A15
A12	2	A13
+5V	3	07
+9V	4	NOT USED
-SLOT	5	SLOT -
0V	6	00
	7	01
CPU CE	8	02
A8	9	06
A1	10	05
A2	11	03
A3	12	04
TONE ULA	13	TNT
0V	14	WMT
VIDEO	15	HALT
Y	16	WR REB
V	17	RD REB
0V	18	RD
BUS REB	19	WR
RESET	20	-5V
A7	21	WAIT
A6	22	+12V
A5	23	12Vcc
A4	24	M1
BUS CE	25	RFSH
A9	26	A8
A8	27	A10
A11	28	NOT USED

UNDERSIDE (B)



COMPONENT SIDE (A)

